

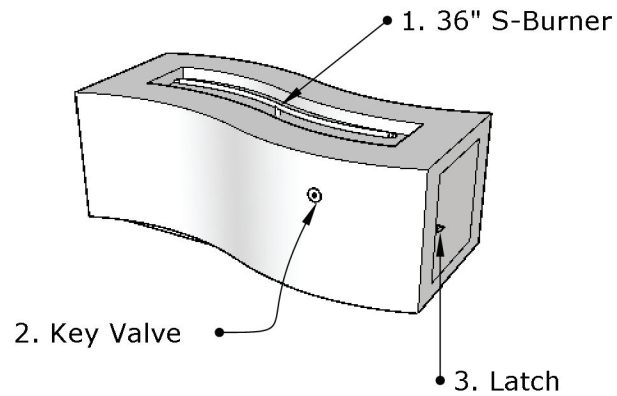
## Billow - 60" Fire Pit

|                                     |           |
|-------------------------------------|-----------|
| <b>Page Number</b>                  | 1 of 1    |
| <b>Author:</b> Bryant Uribe         | 4/13/2018 |
| <b>Approved By:</b> Gabriel Estrada | 4/13/2018 |

|                             |   |
|-----------------------------|---|
| <b>Part Number</b>          | OPT-BLWCS60, OPT-BLWSS60                  |
| <b>Material</b>             | Steel / Stainless Steel                   |
| <b>Finishes</b>             | Corten Steel, Stainless Steel             |
| <b>Gas Type</b>             | Natural Gas (-NG) or Liquid Propane (-LP) |
| <b>Weight</b>               | 195 lbs.                                  |
| <b>BTUs</b>                 | 75,000                                    |
| <b>Suggested Fire Glass</b> | 50 lbs.                                   |
| <b>Access Door</b>          | Yes                                       |

| ITEM NO. | REPLACEMENT PART NUMBER | QTY. |
|----------|-------------------------|------|
| 1        | OPT-3015                | 1    |
| 2        | OPT-256                 | 1    |
| 3        | OPT-LATCH               | 1    |
|          |                         |      |

**Proprietary & Confidential:** The information contained in this drawing is the sole property of **The Outdoor Plus**. Any reproduction or as a whole without written permission of **The Outdoor Plus** is prohibited.



### Replacement Part Numbers

